

**1.1. Introduction**

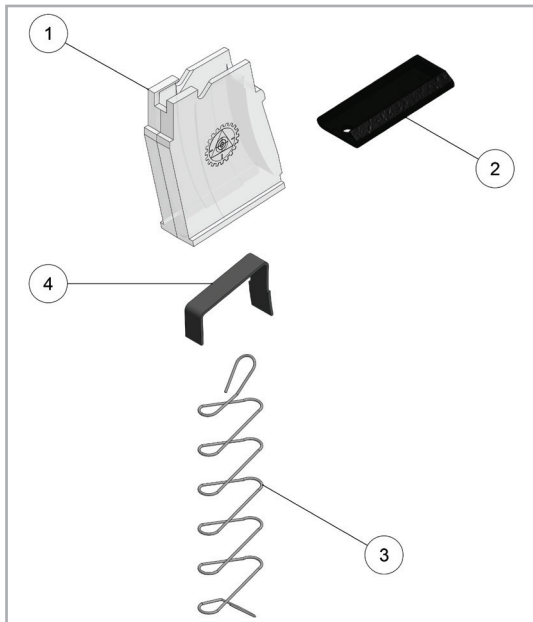
Some LA101 CrossOver owners have noted sub-optimal performance of supplied magazines. These owners have sometimes noticed a difficulty to feed or 'stove piping.' Lithgow Arms has traced the magazine issues to the magazine follower guide leg, and despite our careful attention to quality control some magazines feed sub-optimally. This instruction details the procedure to correct these feed issues by adjusting the magazine follower.

**1.2. General Safety Rules**

**WARNING** The instructions in the red warning boxes must be followed to avoid potential injuries to the operator or bystanders.

**CAUTION** The instructions in the orange caution boxes must be followed to avoid potential damage to the rifle.

- Always** be aware of the position of the muzzle and point of aim when handling the rifle.
- Always** unload and clear firearms before conducting maintenance activities.
- Always** isolate firearms from ammunition when conducting maintenance activities.
- Always** wear eye protection when conducting maintenance activities.
- Never** load live rounds into a firearm during maintenance activities.



No.	DESCRIPTION	No.	DESCRIPTION
1	BODY	3	SPRING
2	BASE	4	FOLLOWER

**Figure 1: Magazine Exploded View**

### 1.3. Tools and Equipment Required

Dummy rounds.  
Small Flat bladed screw driver.

### 1.4. Checking the Feed

Load the magazine with dummy rounds. Using the diagram below determine if the magazine is presenting the loaded rounds too low (Figure 2) or too high (Figure 3).

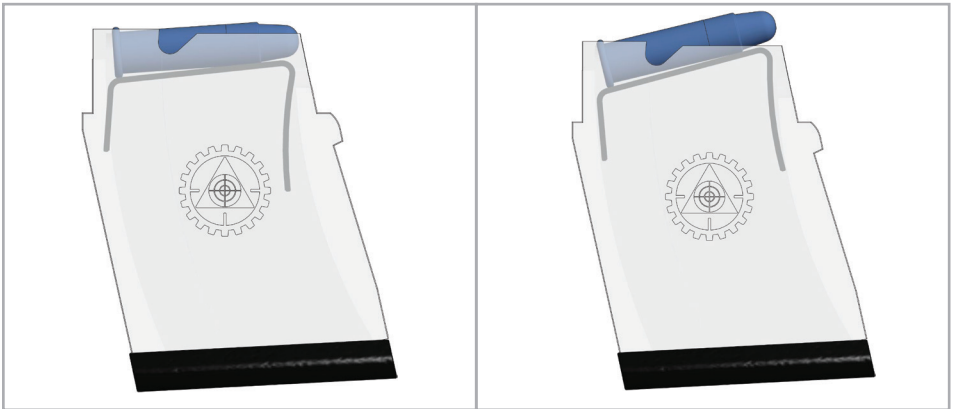


Figure 2: Rounds Feed Low

Figure 3: Rounds Feed High

Place the magazine on the rifle and cycle the dummy rounds. Observe any feed errors.

#### NOTE

Rounds presented too low will collide with the feed ramp. Rounds presented too high will collide with the back of the barrel above the chamber, or flip vertically, 'stove piping.'

Unload the magazine.

### 1.5. Disassembling the Magazine



#### WARNING

The magazine spring is under tension. Removing the magazine base without controlling the spring will cause the spring to eject.

#### CAUTION

Applying too much force to the magazine base will crack the plastic.

Insert the tip of the screw driver between the magazine base and body (Figure 4). Lift gently & slide the magazine base from the body away from the screw driver (Figure 5). While controlling the magazine spring, remove the base from the body. Remove the magazine spring and follower.

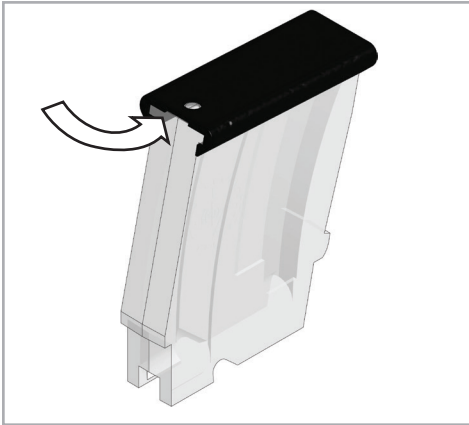


Figure 4: Removing the Base 1

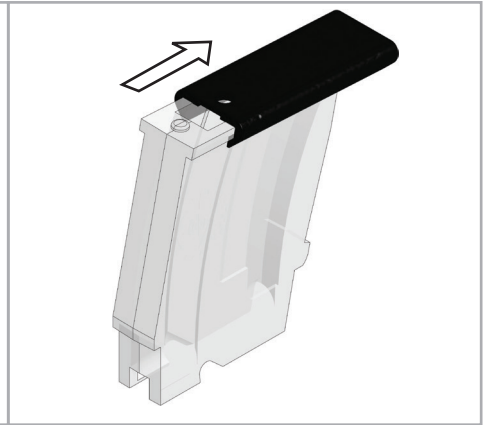


Figure 5: Removing the Base 2

### 1.6. Adjusting the Follower

Invert the magazine follower and place against a flat surface. If the rounds feed low (Figure 2) and you need to raise the nose of the bullet, bend the long leg in (Figure 6). If rounds feed high (Figure 3) and you need to lower the nose of the bullet, bend the long leg out (Figure 7).

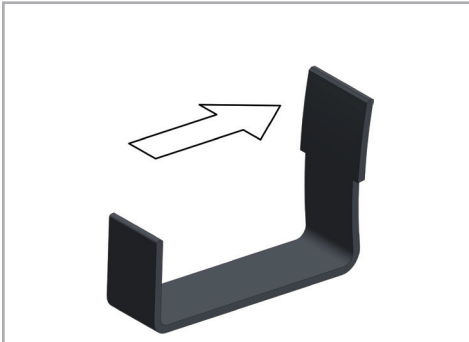


Figure 6: To Raise the Nose of the Bullet

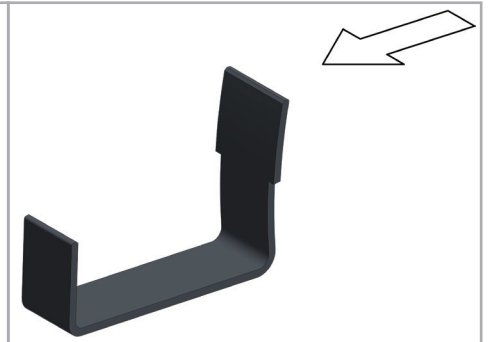


Figure 7: To Lower the Nose of the Bullet

## CAUTION

Only small adjustments are required.

### 1.7. Assembling the Magazine

Fit the follower to the body with the long leg to the front of the magazine. Ensure free movement of the follower. Fit the spring to the body with the end loops to the front of the magazine (Figure 1). Slide the base on the body while compressing the spring. Ensure the spring does not become jammed between the body and base.

### 1.8. Testing the Modification

Push the follower to the bottom of the magazine. The follower should return freely. Load the magazine with dummy rounds. Place the magazine on the rifle and cycle the dummy rounds. If feed errors remain, repeat the adjustment procedure.

## **COPYRIGHT, AUTHOR RIGHTS, TRADEMARKS AND OTHER INTELLECTUAL PROPERTY RIGHTS**

This manual and its contents are protected by copyright, author rights and/or other intellectual property rights which are the property of Thales Australia Limited or third parties.

Reproducing and using the materials in this manual— including text, graphical images, pictures and diagrams — is strictly limited to information purposes only, provided that:

- any reproduction retains all original notices including proprietary or copyright notices
- materials are not modified, in whole or in part, in any way whatsoever.

No other use of the materials and information in this manual is authorised.

Some names are also protected by trademarks which are the property of Thales Australia Limited or of third parties, whether a specific mention of this is made or not.